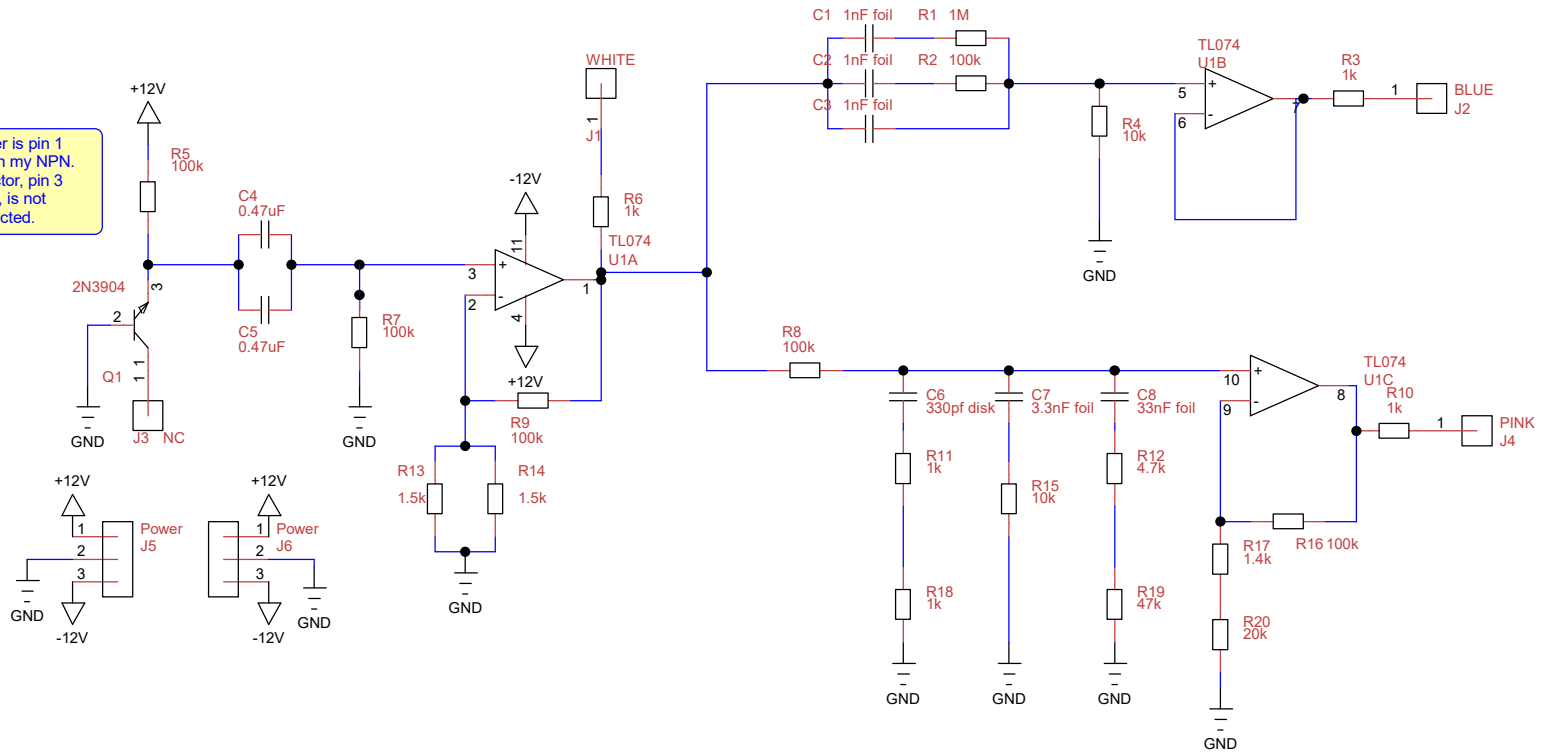


Emitter is pin 1 (left) in my NPN. Collector, pin 3 (right), is not connected.



Title Noise		
Author Eric Driscoll -- Adapted from Mortiz Klein		
File C:\Users\Eric\Desktop\Projects\ ... noise.dsn	Document	
Revision 1.0	Date	Sheets 1 of 1